

Project Arch Theatre	Drafting Date 28-08-2019	Drawn By ARM	Scale (A3)	Code
Venue Holden Street	Setup Date	Sheet # 1.1	Units mm	Sheet Name Room Layout
Designer NM/PT	Event Date	Revision 0	PAX TBC	File Name Holden Street Arch theatre + NCET LX - V2.vwx

Notes
 Console LSC MAXim 24/48
 Gel LEE 152 AMBER
 Gel LEE 106 RED
 Gel LEE 119 BLUE

All artwork, text, materials, programming and concepts are copyright of Novatech Creative Event Technology Pty. Ltd.
 No copies or modification of these drawings can be made without prior approval from the designer.
 These drawings are a representation only. The designer/draftsperson is not a licenced engineer and as such is not qualified to determine whether these designs and/or drawings meet relevant building code and/or structural safety requirements.
 Do not scale this drawing. Use figured dimensions only. Verify all dimensions on site before commencing any construction or works.
 © Novatech Creative Event Technology 2016

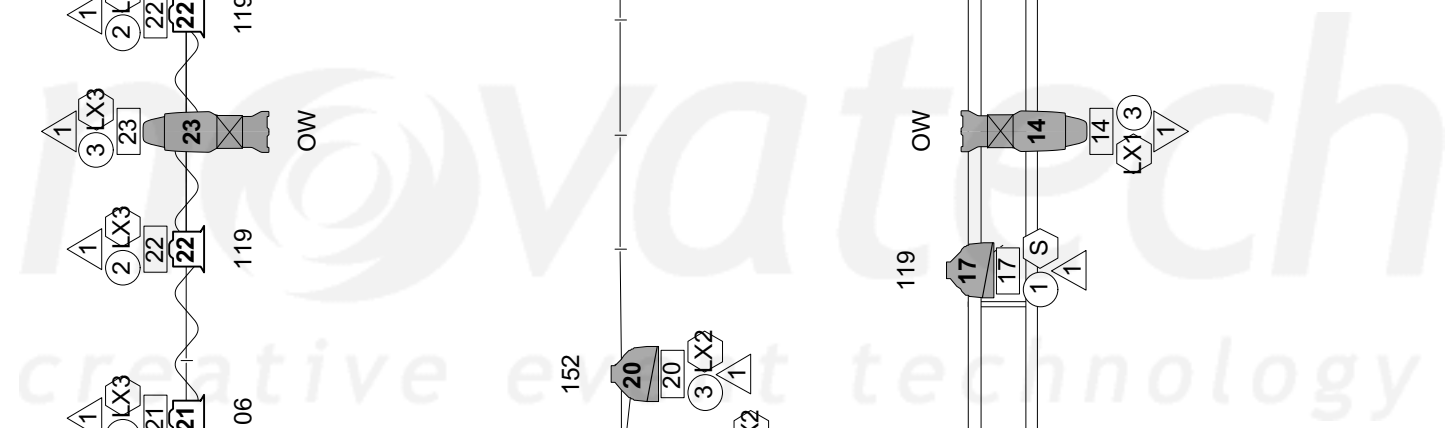
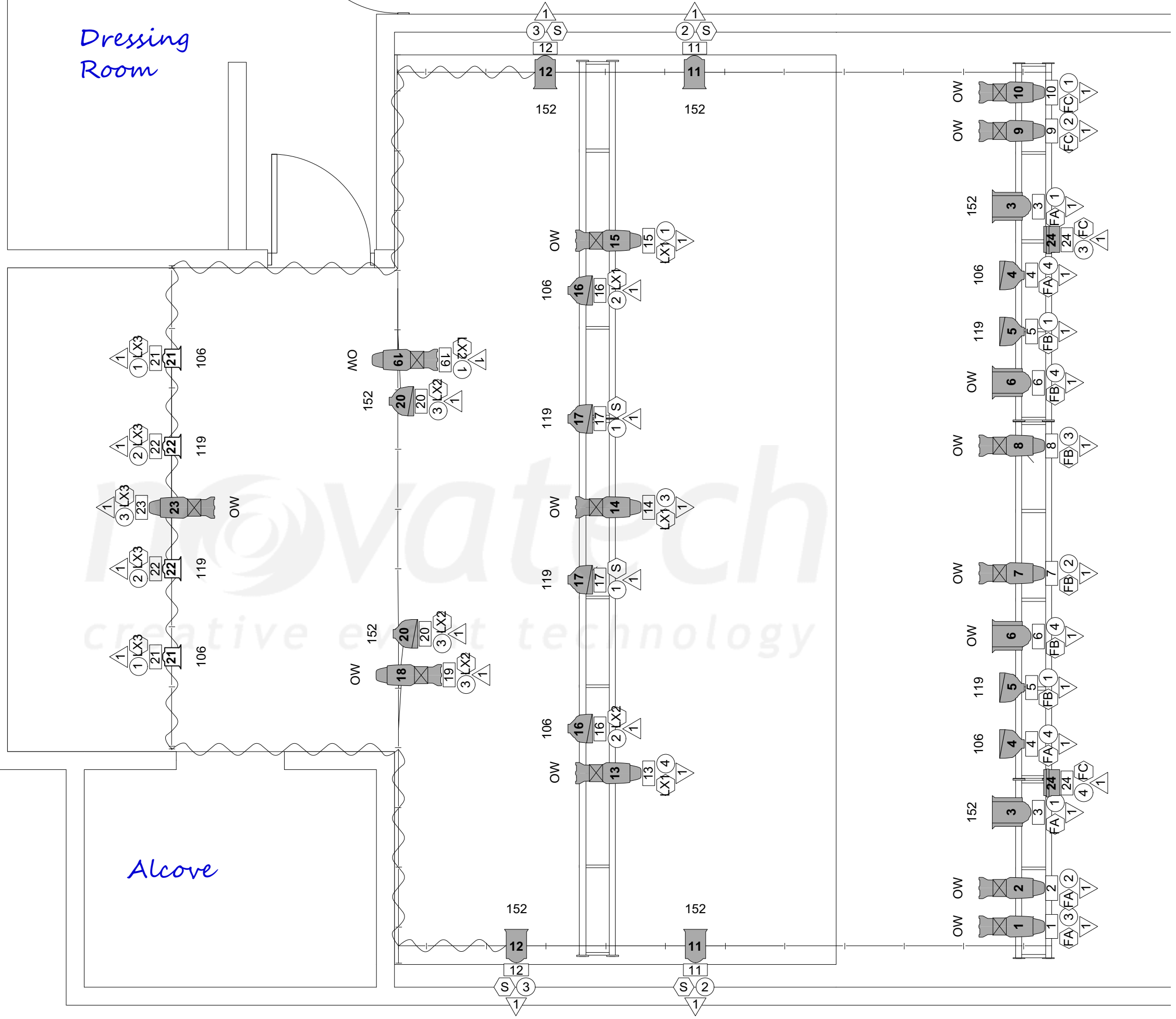
novatech
creative event technology

153 Holbrooks Road Underdale SA 5032
 P +618 8352 0300 | F +618 8352 0333 | info@ncet.co
 ncet.co

Key	Instrument Type	Count
	1200W Fresnel	4
	Kupo PAR MFL	10
	Kupo 25 - 50 Deg Profile	8
	Source 4 26"	4
	Minulette 500w Fresnel	4
	500W Cyc	2
	650W Fresnel	4

Dressing Room

Alcove



Project Arch Theatre	Drafting Date 28-08-2019	Drawn By ARM	Scale (A3)	Code
Venue Holden Street	Setup Date	Sheet # 4.1	Units mm	Sheet Name Lighting Plot
Designer NM/PT	Event Date	Revision 0	PAX TBC	File Name Holden Street Arch theatre + NCET LX - V2.vwx

Notes
 Console LSC MAXim 24/48
 Gel LEE 152 AMBER
 Gel LEE 106 RED
 Gel LEE 119 BLUE

All artwork, text, materials, programming and concepts are copyright of Novatech Creative Event Technology Pty. Ltd.
 No copies or modification of these drawings can be made without prior approval from the designer.
 These drawings are a representation only. The designer/draftsperson is not a licenced engineer and as such is not qualified to determine whether these designs and/or drawings meet relevant building code and/or structural safety requirements.
 Do not scale this drawing. Use figured dimensions only. Verify all dimensions on site before commencing any construction or works.

© Novatech Creative Event Technology 2016

153 Holbrooks Road Underdale SA 5032
 P +618 8352 0300 | F +618 8352 0333 | info@ncet.co
 ncet.co

Unit #	Fixture Type	Universe	Address	DMX Mode	Channels
1	Source 4 26°	1	1		1
2	Source 4 26°	1	2		1
3	1200W Fresnel	1	3		1
3	1200W Fresnel	1	3		1
4	Kupo PAR MFL	1	4		1
4	Kupo PAR MFL	1	4		1
5	Kupo PAR MFL	1	5		1
5	Kupo PAR MFL	1	5		1
6	1200W Fresnel	1	6		1
6	1200W Fresnel	1	6		1
7	Source 4 26°	1	7		1
8	Kupo 25 - 50 Deg Profile	1	8		1
9	Kupo 25 - 50 Deg Profile	1	9		1
10	Kupo 25 - 50 Deg Profile	1	10		1
11	650W Fresnel	1	11		1
11	650W Fresnel	1	11		1
12	650W Fresnel	1	12		1
12	650W Fresnel	1	12		1
13	Kupo 25 - 50 Deg Profile	1	13		1
14	Kupo 25 - 50 Deg Profile	1	14		1
15	Kupo 25 - 50 Deg Profile	1	15		1
16	Kupo PAR MFL	1	16		1
16	Kupo PAR MFL	1	16		1
17	Kupo PAR MFL	1	17		1
17	Kupo PAR MFL	1	17		1
18	Kupo 25 - 50 Deg Profile	1	19		1
19	Kupo 25 - 50 Deg Profile	1	19		1
20	Kupo PAR MFL	1	20		1
20	Kupo PAR MFL	1	20		1
21	Minuette 500w Fresnel	1	21		1
21	Minuette 500w Fresnel	1	21		1
22	Minuette 500w Fresnel	1	22		1
22	Minuette 500w Fresnel	1	22		1
23	Source 4 26°	1	23		1
24	500W Cyc	1	24		1
24	500W Cyc	1	24		1

Project Arch Theatre	Setup Date	Drawn By ARM	Code
Venue Holden Street	Event Date	Sheet # 5.1	Sheet Name DMX Data
Designer NM/PT	Drafting Date 28-08-2019	Revision 0	File Name Holden Street Arch theatre + NCET LX - V2.vww

All artwork, text, materials, programming and concepts are copyright of Novatech Creative Event Technology Pty. Ltd.
No copies or modification of these drawings can be made without prior approval from the designer.
These drawings are a representation only. The designer/draftsperson is not a licenced engineer and as such is not qualified to determine whether these designs and/or drawings meet relevant building code and/or structural safety requirements.
Do not scale this drawing. Use figured dimensions only. Verify all dimensions on site before commencing any construction or works.



153 Holbrooks Road Underdale SA 5032
P +618 8352 0300 | F +618 8352 0333 | info@ncet.co
ncet.co

Socapex	Circuit	Unit #	Fixture Type	Address	Wattage
FA	1	3	1200W Fresnel	3	1200W
FA	2	2	Source 4 26°	2	575W
FA	3	1	Source 4 26°	1	575W
FA	4	4	Kupo PAR MFL	4	575W
FA	4	4	Kupo PAR MFL	4	575W
FA	1	3	1200W Fresnel	3	1200W
FB	1	5	Kupo PAR MFL	5	575W
FB	1	5	Kupo PAR MFL	5	575W
FB	2	7	Source 4 26°	7	575W
FB	3	8	Kupo 25 - 50 Deg Profile	8	575W
FB	4	6	1200W Fresnel	6	1200W
FB	4	6	1200W Fresnel	6	1200W
FC	1	10	Kupo 25 - 50 Deg Profile	10	575W
FC	2	9	Kupo 25 - 50 Deg Profile	9	575W
FC	3	24	500W Cyc	24	500W
FC	4	24	500W Cyc	24	500W
LX1	1	15	Kupo 25 - 50 Deg Profile	15	575W
LX1	2	16	Kupo PAR MFL	16	575W
LX1	3	14	Kupo 25 - 50 Deg Profile	14	575W
LX1	4	13	Kupo 25 - 50 Deg Profile	13	575W
LX2	1	19	Kupo 25 - 50 Deg Profile	19	575W
LX2	2	16	Kupo PAR MFL	16	575W
LX2	3	20	Kupo PAR MFL	20	575W
LX2	3	20	Kupo PAR MFL	20	575W
LX2	3	18	Kupo 25 - 50 Deg Profile	19	575W
LX3	1	21	Minulette 500w Fresnel	21	150W
LX3	1	21	Minulette 500w Fresnel	21	150W
LX3	2	22	Minulette 500w Fresnel	22	150W
LX3	2	22	Minulette 500w Fresnel	22	150W
LX3	3	23	Source 4 26°	23	575W
S	1	17	Kupo PAR MFL	17	575W
S	1	17	Kupo PAR MFL	17	575W
S	2	11	650W Fresnel	11	650W
S	2	11	650W Fresnel	11	650W
S	3	12	650W Fresnel	12	650W
S	3	12	650W Fresnel	12	650W

Project Arch Theatre	Setup Date	Drawn By ARM	Code
Venue Holden Street	Event Date	Sheet # 5.2	Sheet Name Patch Data
Designer NM/PT	Drafting Date 28-08-2019	Revision 0	File Name Holden Street Arch theatre + NCET LX - V2.vw

All artwork, text, materials, programming and concepts are copyright of Novatech Creative Event Technology Pty. Ltd.
No copies or modification of these drawings can be made without prior approval from the designer.
These drawings are a representation only. The designer/draftsperson is not a licenced engineer and as such is not qualified to determine whether these designs and/or drawings meet relevant building code and/or structural safety requirements.
Do not scale this drawing. Use figured dimensions only. Verify all dimensions on site before commencing any construction or works.



153 Holbrooks Road Underdale SA 5032
P +618 8352 0300 | F +618 8352 0333 | info@ncet.co
ncet.co